



ALSANIT®



AQUARI



CE

AQUARI cubicles made of hpl / mfc

Available in:

MFC - Laminated chipboard
HPL - High Pressure Laminate

Complementary products

page 8 →








Patent
P. 425699
(hidden hinge)

Description:

The AQUARI system is proof that innovation in the field of sanitary cabins is possible. AQUARI represents an approach to our previously developed products - continuous improvement aimed at delivering leading solutions.

The most intriguing element of the AQUARI system is the hinge hidden in the door frame profile. This solution ensures an aesthetic appearance and protects against potential collisions - finger trapping between the door leaf and the frame. The cabin support is mounted in line

with the frame profiles, creating a cohesive and harmonious whole. The AQUARI system is a combination of the highest quality materials, innovative solutions, and original design. These solutions have been patent protected.

-  only Torx screws are used
-  doors opening outward or inward
-  hinges with gravity self-closing
-  very high durability
-  tailor made to individual dimensions



Patented Safe Fingers solution



CE certificate valid throughout the European Union



Aluminum fittings

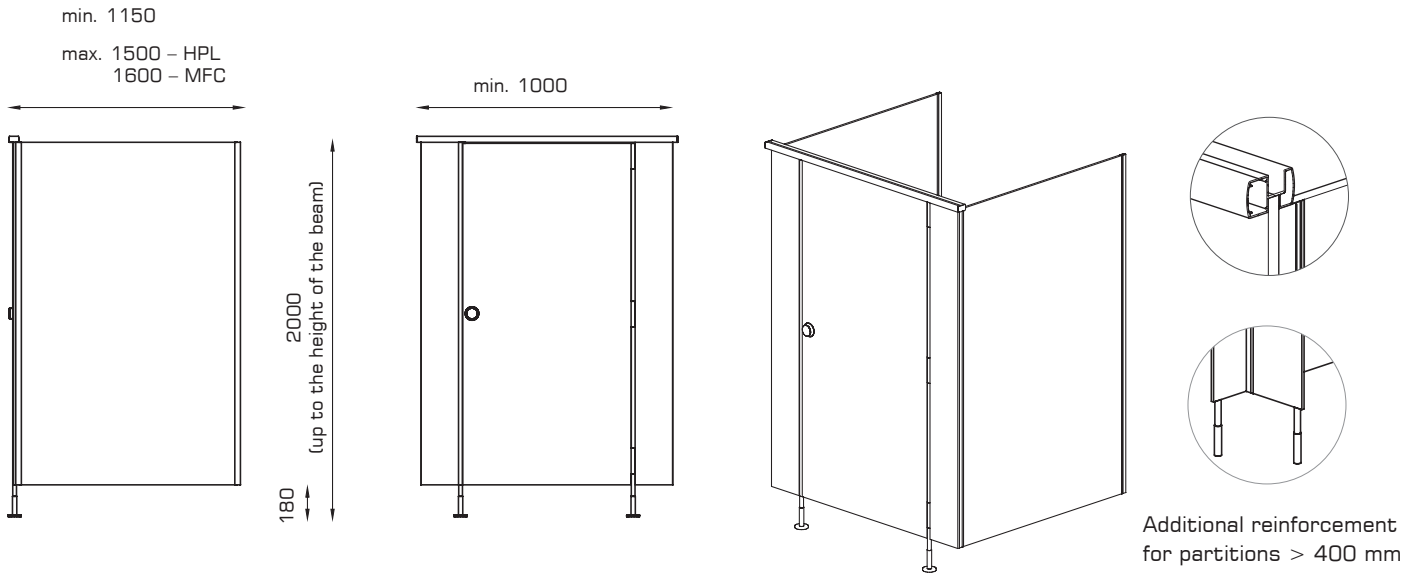


Fittings developed by ALSANIT are manufactured in Poland at the company headquarters

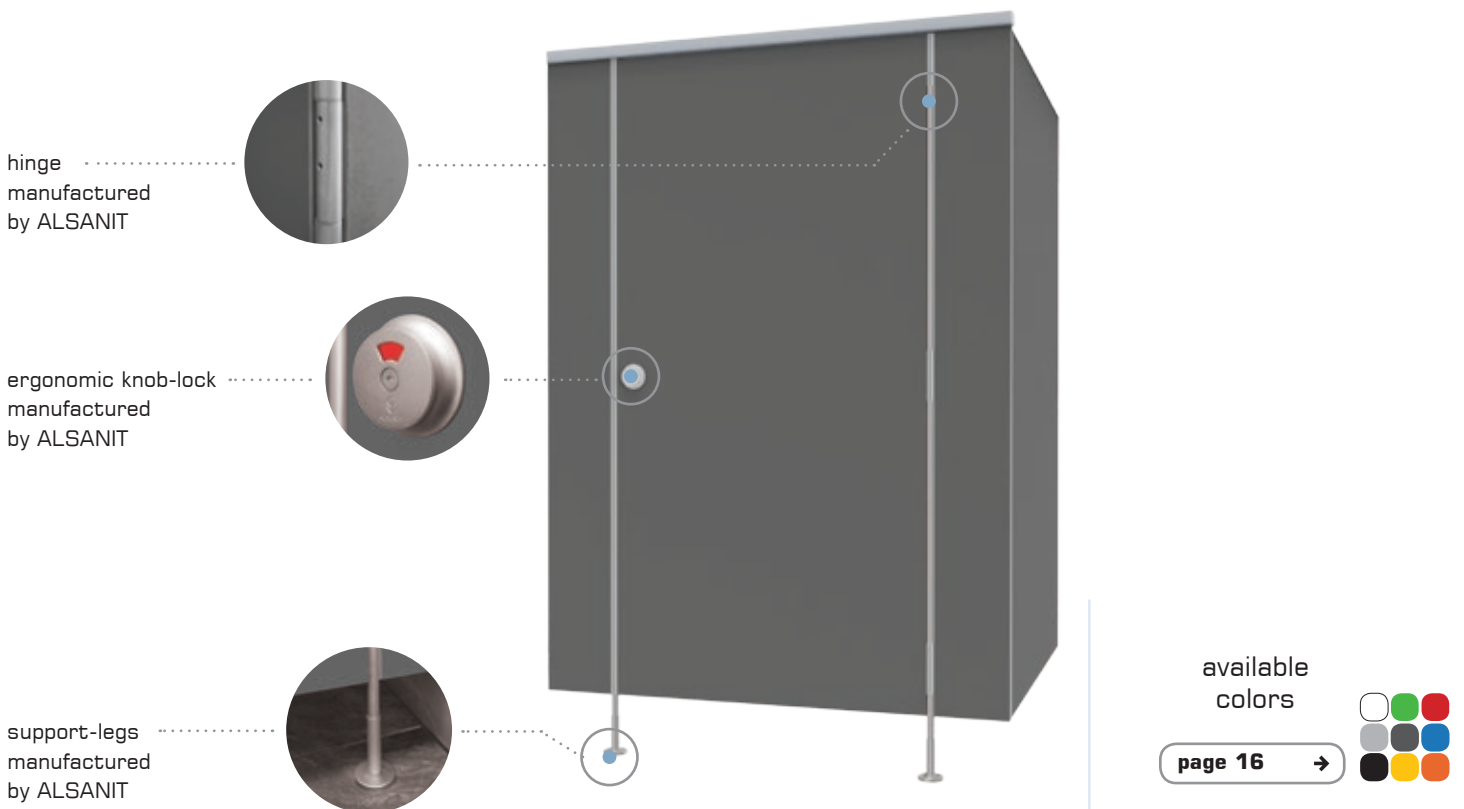


Production on CNC machines ensures precision and short lead times

Standard dimensions

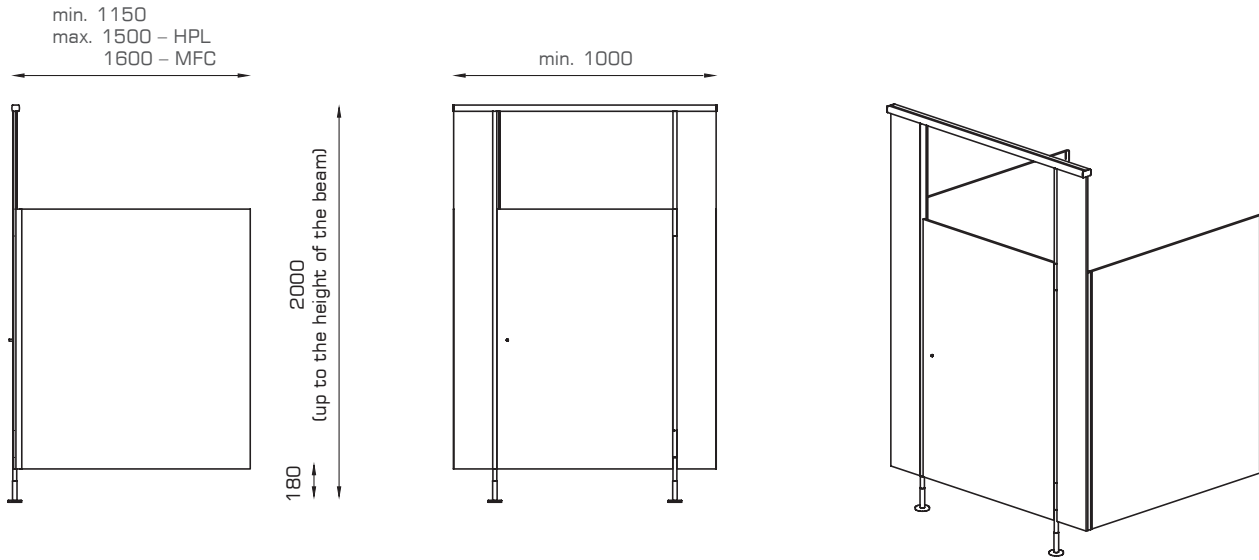


Standard equipment



AQUARI high columns

Standard dimensions



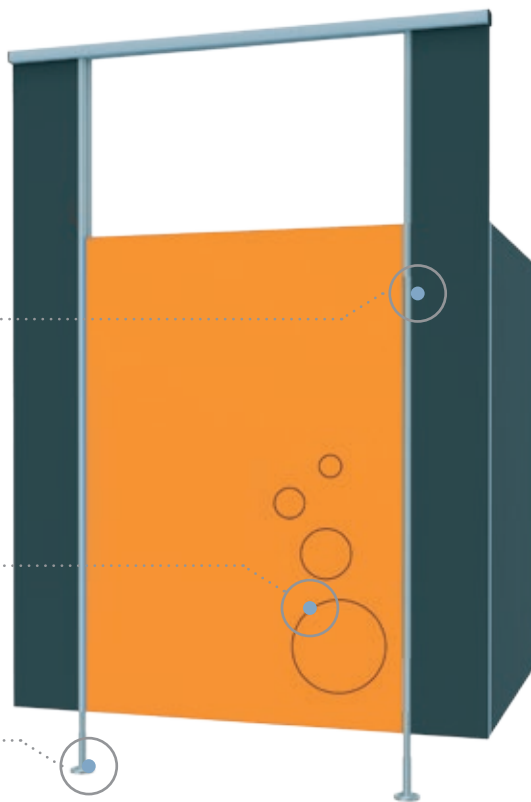
**optional -
custom handles**



safe hinge
manufactured by ALSANIT



Option - engraving (HPL)
made
on CNC machine



support-legs
manufactured
by ALSANIT

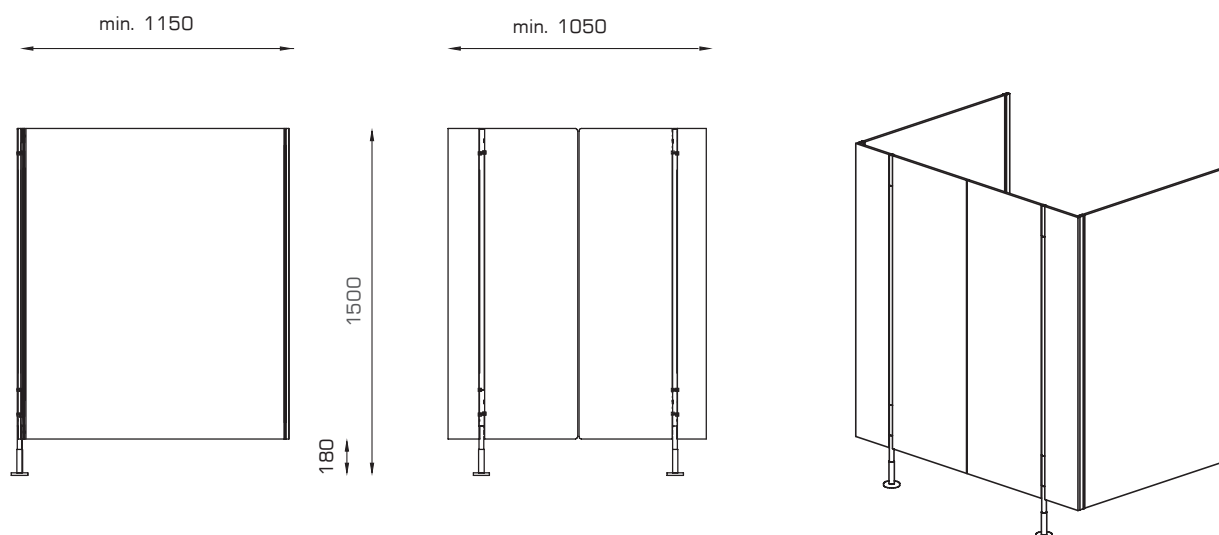


available
colors

page 16 →



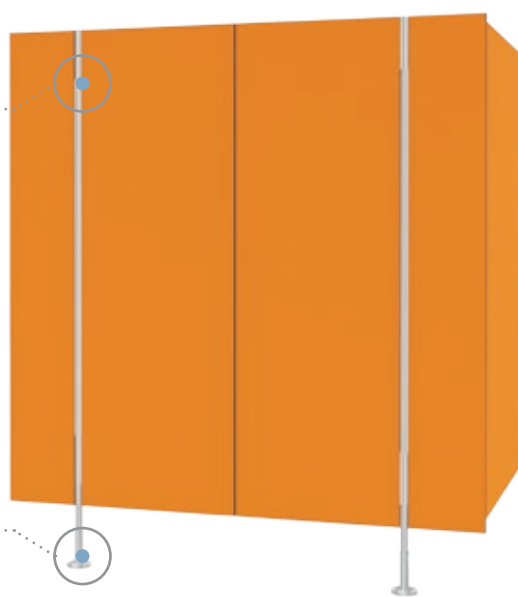
Standard dimensions



safe hinge
manufactured by ALSANIT



support-legs
manufactured by ALSANIT



available colors

page 16 →

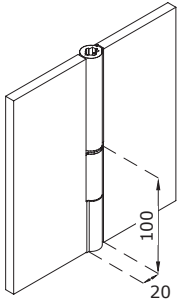


AQUARI construction details

Construction details:

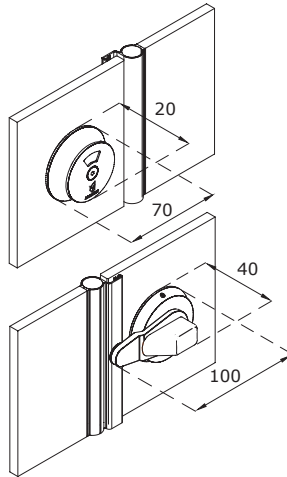
Hinges

- „safe fingers” system - protects fingers from being pinched
- tested durability: 200,000 open/close cycles
- hidden in aluminum profiles
- minimalist appearance
- with gravity self-closing function



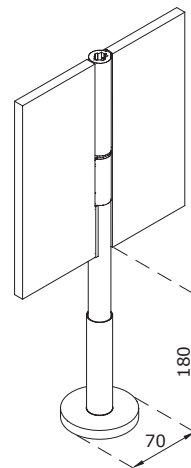
Knob-locks

- aluminum finish
- emergency opening capability
- universal for left/right doors
- Bolt rotation angle of 360°
- „click” every 90°
- easy to use, also for disabled individuals
- white-red occupancy indicator
- optionally available in preschool cabins



Support-legs

- mounted in the door frame profile in line with the hinges
- ensure easy leveling of partitions
- aluminum with a stainless steel core
- adjustment range +/- 20 mm
- rosette mounted on two dowels, covered with a plate



Types of panels available for the system:

MFC

Laminated chipboard

18 mm

MFC is compressed under high temperature and pressure using binding agents with wood chips. The top layer is a decorative melamine coating.

- edges are finished with durable edging using HOT-AIR technology (glueless)
- suitable for rooms with normal humidity

Fire classification: Ds1d0



A solution for door frame



Integrated support leg with the profile



Top-mounted beam (in saloon cubicles - no beam)

HPL

High pressure laminate

10 mm

12 mm

HPL (High Pressure Laminate) - cellulose fibers saturated with resin and compressed under high pressure. The material is 100% waterproof and its properties are consistent throughout the entire board cross-section.

- milled edges-black core of the board is visible
- for rooms with high humidity

Fire classification: Cs2d0 - 10 mm, Bs1d0 - 12 mm (option)



A solution for door frame



Integrated support leg with the profile

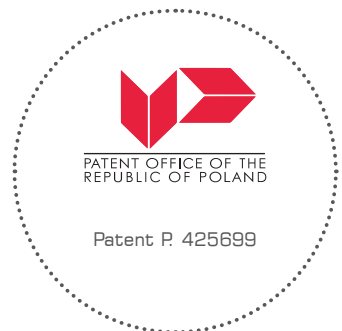


Top-mounted beam (in saloon cubicles - no beam)

„Safe fingers” solution

We have developed a unique solution which involves placing the hinge mechanism inside closed profiles to provide additional protection for hands from injury. The features of the system are summarized below:

- hinges are hidden within the door frame profiles, preventing fingers from being trapped between the door leaf and the frame,
- the hinge self-closing does not have a spring that could hit a child when the door is pulled,
- doors close due to gravity force - an extremely safe and reliable solution,
- this solution has been filed for patent protection and is produced exclusively by ALSANIT in Poland.





URINAL PARTITIONS

By using an aluminum rosette, we achieved an effect of exceptional lightness.

ALSANIT urinal partitions are installed using rosettes, eliminating the need for support legs.

available
colors

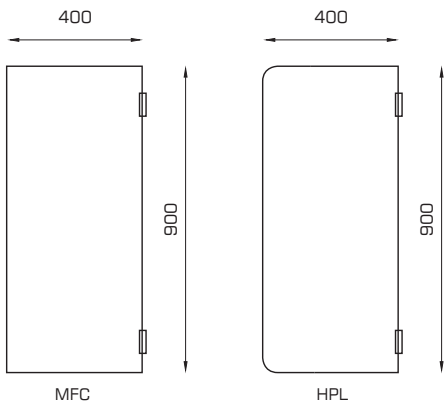


page 16 →



Urinal partitions

- Powder-coated rosette in a color close to RAL 7035
- Easy installation
- Minimalist appearance

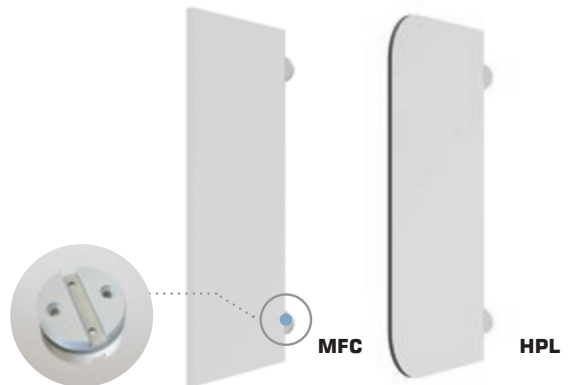


MFC

- 18 mm
- 28 mm

HPL

- 10 mm
- 12 mm





VANITY TOPS

Sink countertops are an important element of restroom furnishings.

Due to the direct exposure to water, they need to be made of durable materials and properly installed.

available
colors

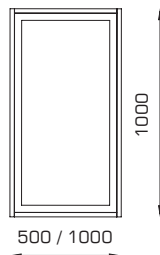
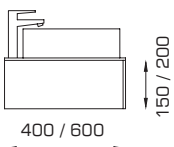
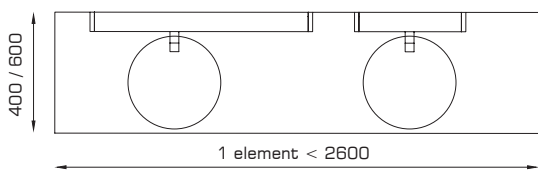
page 16 →





Vanity tops

- preparation for sink installation
- all visible edges routed
- need for panel joining for countertops longer than 2600 mm
- optionally additional mirror frames matching countertops



HPL

10 mm

12 mm





SHOWERS

Shower cubicles produced by ALSANIT are aesthetic, practical, and durable.

Thanks to the use of durable, and fully waterproof materials, ALSANIT shower cubicles are an investment for many years. Showers are typically made basing on the SOLARI system fittings.

available
colors



page 16 →

„I” partitions

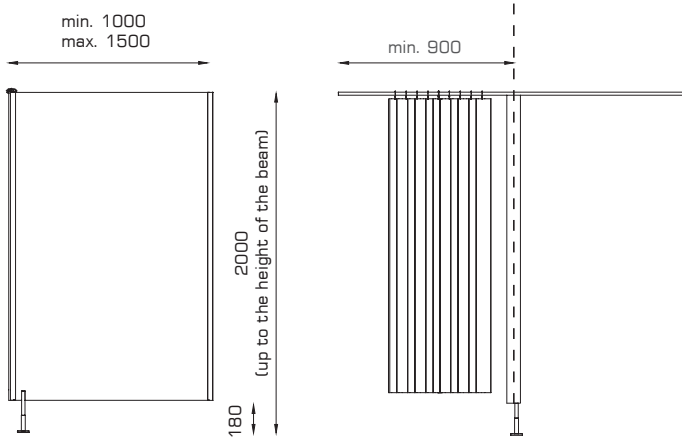
- easy and fast installation
- curtain included

HPL

10 mm

12 mm

← back



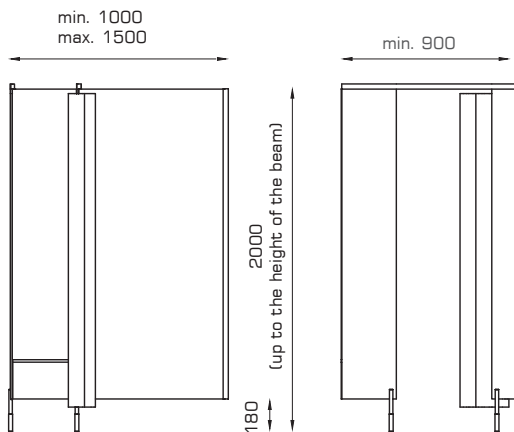
Showers „T” i „F”

- additional space for storing clothes
- curtain included

HPL

10 mm

12 mm



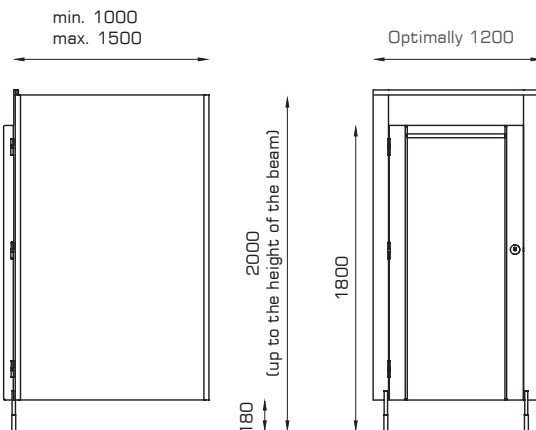
Showers with doors

- doors reinforced with ribs approximately 80 mm wide
- round profile for clothes or towel between the ribs

HPL

10 mm

12 mm





TECHNOWALL

Fast mounted and aesthetically pleasing wall claddings designed for large surfaces.

TECHNOWALL is a fully proprietary system of wall claddings with quick access to installations located behind them.

available
colors

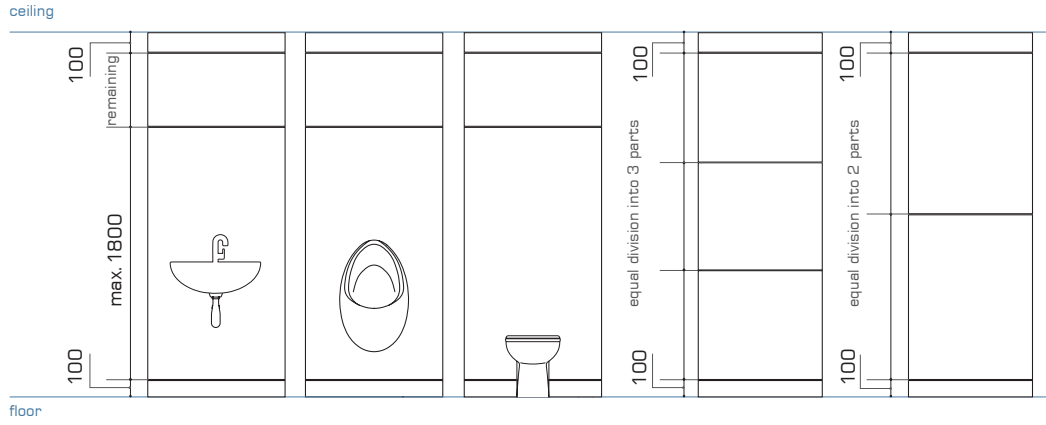


page 16 →

HPL

10 mm

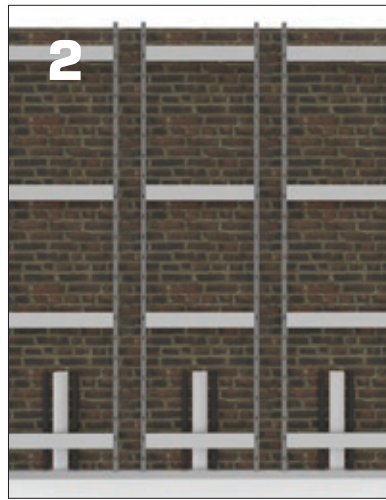
12 mm



Installation:



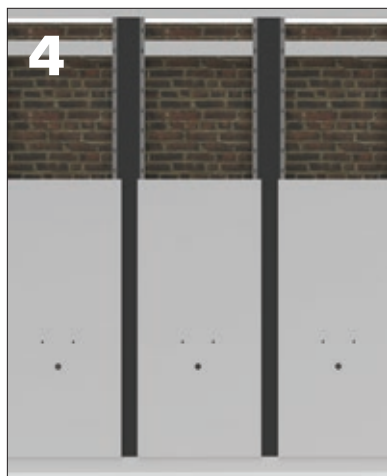
1. Level and mount the bottom profile to the floor.



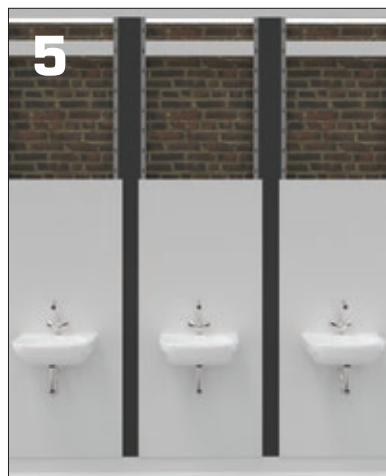
2. Place the steel frames for cladding on the profile, align, and attach them to the masonry wall.



3. Connect the frames with „shadow” panels. Mount masking panels at the bottom and top.



4. Fit the cladding panels up to the height of the utilities and fixtures. For the cladding where fixtures will be installed, cut openings for the connections/fixtures.



5. Secure and connect the fixtures to the cladding.



6. Install the remaining cladding.

COLORS stock collection

HPL

LOCKERS

HPL BUILT-INS

CUBICLES

CONTRACT FURNITURE

standard colors of locker bodies
standard colors of Sandwich Panels

4,10,12 mm
CLASSIC WHITE
~ RAL 9016

4,10,12 mm
PERFECT GREY
~ RAL 7035

4,10,12 mm
SILESIA N GREY
~ RAL 7043

10 mm
JUICY LEMON
~ RAL 1016

10 mm
JUICY ORANGE
~ RAL 2011

10 mm
RED DELUXE
~ RAL 3020

10 mm
FRESH GREEN
~ RAL 6038

10 mm
BLUE BAY
~ RAL 5005

10,12 mm
SHADOW GREY
~ RAL 7042

10 mm
CLASSIC BLACK
~ RAL 9005

10 mm
SPICE ORANGE
~ RAL 2008

10 mm
FOREST GREEN
~ RAL 6018

10 mm
EMERALD LAGUNA
~ RAL 5018

10 mm
LION WOOD
HORIZONTAL

colors available only for lockers and furniture

METAL

LOCKERS

standard colors of locker bodies

PURE WHITE
~ RAL 9010

PERFECT GREY
~ RAL 7035

COAL GREY
~ RAL 7016

JUICY ORANGE
~ RAL 2004

RED HOT
~ RAL 3000

FOREST GREEN
~ RAL 6018

OCEAN BLUE
~ RAL 5010

MARINA BLUE
~ RAL 5015

CLASSIC BLACK
~ RAL 9005

* sample colors

MFC

LOCKERS

CUBICLES

CONTRACT FURNITURE



the color range is also available in the **HIGH GLOSS** version

GLASS

LOCKERS

CUBICLES



* sample colors

20+

20 years of experience

25+

sales to over 25 countries

2600+

2600 projects annually

8000+

sqm of ALSANIT's hall space

40000+

doors produced annually

AQUARI is a combination of an innovative SAFE FINGERS solution and exceptional design.

A universal system showcasing classic elegance derived from simple lines created by aluminum profiles.



ALSANIT®

Alsanit Sp. z o.o.
ul. Wieleńska 2, 64-980 Trzcianka, POLSKA

+48 67 253 23 60
export@alsanit.eu
www.alsanit.eu